

Continental[®] *Platinum*

INSTRUCTION MANUAL



MICROWAVE OVEN

**MODEL:
CP41079**

PRECAUTIONS TO AVOID POSSIBLE EXPOSURE TO EXCESSIVE MICROWAVE ENERGY

- (a) Do not attempt to operate this oven with the door open since this can result in harmful exposure to microwave energy. It is important not to defeat or tamper with the safety interlocks.
- (b) Do not place any object between the oven front face and the door or allow soil or cleaner residue to accumulate on sealing surfaces.
- (c) **Do not operate the oven if it is damaged. It is particularly important that the oven door closes properly and that there is no damage to the:**
 - (1) **DOOR (bent)**
 - (2) **HINGES AND LATCHES (broken or loosened)**
 - (3) **DOOR SEALS AND SEALING SURFACE**
- (d) **The oven should not be adjusted or repaired by anyone except properly qualified service personnel.**

Specifications

Model:	CP41079
Rated Voltage:	120V~ 60Hz
Rated Input Power(Microwave):	1050W
Rated Output Power(Microwave):	700W
Oven Capacity:	0.6 Cu.ft.
Turntable Diameter:	Ø 9.6 inch
External Dimensions:	17.3×14.0×10.2 inch (440× 355×258 mm)
Net Weight:	Approx. 23.1 Lbs (10.5 kg)
Warning:	Handling the cord on this press or cords associated with accessories sold with this product, will expose you to lead a chemical known to the state of California to cause cancer, and birth defects or other reproductive harm. Wash hands after handle.

IMPORTANT SAFETY INSTRUCTIONS

WARNING

To reduce the risk of burns, electric shock, fire, injury to persons or exposure to excessive microwave oven energy when using your appliance, follow basic safety precautions, including the following:

1. Read all instructions before using the appliance.
2. Read and follow the specific: **"PRECAUTIONS TO AVOID POSSIBLE EXPOSURE TO EXCESSIVE MICROWAVE ENERGY"** found on page 2.
3. As with most cooking appliances, close supervision is necessary to reduce the risk of a fire in the oven cavity.
4. To reduce the risk of fire in the oven cavity:
 - i). Do not overcook food. Carefully attend the appliance when paper, plastic, or other combustible materials are placed inside the oven to facilitate cooking.
 - ii). Remove wire twist-ties and metal handles from paper or plastic containers/bags before placing them in the oven.
 - iii). If materials inside the oven ignite, keep the oven door closed. Turn the oven off, and unplug the appliance. Disconnect the power cord, shut off power at the fuse or circuit breaker panel.
 - iv). Do not use the oven cavity for storage purposes. Do not leave paper products, cooking utensils, or food in the cavity when not in use.
5. This oven must be grounded. Connect only to properly grounded outlet. See **"GROUNDING INSTRUCTIONS"** found on page 4.
6. Install or locate this oven only in accordance with the installation instructions provided.
7. Some products such as whole eggs and sealed containers-for example, closed glass jars-are able to explode and should not be heated in the oven.
8. Use this appliance only for its intended uses as described in this manual. Do not use corrosive chemicals or vapors in this appliance. This oven is specifically designed to heat or cook or dry food. It is not designed for industrial or laboratory use.
9. As with any appliance, close supervision is necessary when used by children.
10. Do not operate this oven if it has a damaged cord or plug, if it is not working properly or if it has been damaged or dropped.
11. This appliance should be serviced only by qualified service technicians. Contact the nearest authorized service facility for examination, repair or adjustment.
12. Do not cover or block any openings on the oven.
13. Do not store or use this appliance outdoors.
14. Do not use this oven near water, for example, near a kitchen sink, in a wet basement, near a swimming pool, or similar locations.
15. Do not immerse cord or plug in water.
16. Keep cord away from heated surfaces.
17. Do not let cord hang over edge of table or counter.
18. When cleaning surfaces of door and oven that comes together on closing the door, use only mild, nonabrasive soaps or detergents applied with a sponge or soft cloth.

19. Liquids, such as water, coffee, or tea are able to be overheated beyond the boiling point without appearing to be boiling. Visible bubbling or boiling when the container is removed from the microwave oven is not always present. **THIS COULD RESULT IN VERY HOT LIQUIDS SUDDENLY BOILING OVER WHEN THE CONTAINER IS DISTURBED OR A SPOON OR OTHER UTENSIL IS INSERTED INTO THE LIQUID.**

- i) Do not overheat the liquid.
- ii) Stir the liquid both before and halfway through heating it.
- iii) Do not use straight-sided containers with narrow necks.
- iv) After heating, allow the container to stand in the microwave oven for a short time before removing the container.
- v) Use extreme care when inserting a spoon or other utensil into the container.

SAVE THESE INSTRUCTIONS

GROUNDING INSTRUCTIONS

DANGER

Electric Shock Hazard

Touching some of the internal components can cause serious personal injury or death. Do not disassemble this appliance.

WARNING

Electric Shock Hazard

Improper use of the grounding can result in electric shock. Do not plug into an outlet until appliance is properly installed and grounded.

Three-pronged (grounding) plug



This appliance must be grounded. In the event of an electrical short circuit, grounding reduces the risk of electric shock by providing an escape wire for the electric current. This appliance is equipped with a cord having grounding wire with a grounding plug. The plug must be plugged into an outlet that is properly installed and grounded.

Consult a qualified electrician or serviceman if the grounding instructions are not completely understood or if doubt exists as to whether the appliance is properly grounded. If it is necessary to use an extension cord, use only a 3-wire extension cord that has a 3-pronged grounding plug, and a 3-slot receptacle that will accept the plug on the appliance. The marked rating of the extension cord shall be equal to or greater than the electrical rating of the appliance.

1. A short power-supply cord is provided to reduce the risks resulting from becoming entangled in or tripping over a longer cord.
2. Longer cord sets or extension cords are available and may be used if care is exercised in their use.
3. If a long cord set or extension cord is used:
 - 1) The marked electrical rating of the cord set or extension marked electrical rating of the cord set or extension cord should be at least as great as the electrical rating of the appliance.
 - 2) The extension cord must be a grounding-type 3-wire cord; and
 - 3) The longer cord should be arranged so that it will not drape over the countertop or tabletop where it can be pulled on by children or tripped over unintentionally.

Radio Interference

1. Operation of the microwave oven may cause interference to your radio, TV or similar equipment.
2. When there is interference, it may be reduced or eliminated by taking the following measures:
 - 1) Clean door and sealing surface of the oven
 - 2) Reorient the receiving antenna of radio or television.
 - 3) Relocate the microwave oven with respect to the receiver.
 - 4) Move the microwave oven away from the receiver.
 - 5) Plug the microwave oven into a different outlet so that microwave oven and receiver are on different branch circuits.

UTENSILS

CAUTION

Personal Injury Hazard

Tightly-closed utensils could explode. Closed containers should be opened and plastic pouches should be pierced before cooking.

See the instructions on "Materials you can use in microwave oven or to be avoided in microwave oven." There may be certain non-metallic utensils that are not safe to use for microwaving. If in doubt, you can test the utensil in question following the procedure below.

Utensil Test:

1. Fill a microwave-safe container with 1 cup of cold water (250ml) along with the utensil in question.
2. Cook on maximum power for 1 minute.
3. Carefully feel the utensil. If the empty utensil is warm, do not use it for microwave cooking.
4. **Do not exceed 1 minute cooking time.**

Materials you can use in microwave oven

Utensils	Remarks
Aluminum foil	Shielding only. Small smooth pieces can be used to cover thin parts of meat or poultry to prevent overcooking. Arcing can occur if foil is too close to oven walls. The foil should be at least 1 inch (2.5cm) away from oven walls.
Browning dish	Follow manufacturer's instructions. The bottom of browning dish must be at least 3/16 inch (5mm) above the turntable. Incorrect usage may cause the turntable to break.
Dinnerware	Microwave-safe only. Follow manufacturer's instructions. Do not use cracked or chipped dishes.
Glass jars	Always remove lid. Use only to heat food until just warm. Most glass jars are not heat resistant and may break.
Glassware	Heat-resistant oven glassware only. Make sure there is no metallic trim. Do not use cracked or chipped dishes.
Oven cooking bags	Follow manufacturer's instructions. Do not close with metal tie. Make slits to allow steam to escape.
Paper plates and cups	Use for short-term cooking/warming only. Do not leave oven unattended while cooking.
Paper towels	Use to cover food for reheating and absorbing fat. Use with supervision for a short-term cooking only.
Parchment paper	Use as a cover to prevent splattering or a wrap for steaming.
Plastic	Microwave-safe only. Follow the manufacturer's instructions. Should be labeled "Microwave Safe". Some plastic containers soften, as the food inside gets hot. "Boiling bags" and tightly closed plastic bags should be slit, pierced or vented as directed by package.
Plastic wrap	Microwave-safe only. Use to cover food during cooking to retain moisture. Do not allow plastic wrap to touch food.
Thermometers	Microwave-safe only (meat and candy thermometers).
Wax paper	Use as a cover to prevent splattering and retain moisture.

Materials to be avoided in microwave oven

Utensils	Remarks
Aluminum tray	May cause arcing. Transfer food into microwave-safe dish.
Food carton with metal handle	May cause arcing. Transfer food into microwave-safe dish.
Metal or metal-trimmed utensils	Metal shields the food from microwave energy. Metal trim may cause arcing.
Metal twist ties	May cause arcing and could cause a fire in the oven.
Paper bags	May cause a fire in the oven.
Plastic foam	Plastic foam may melt or contaminate the liquid inside when exposed to high temperature.
Wood	Wood will dry out when used in the microwave oven and may split or crack.

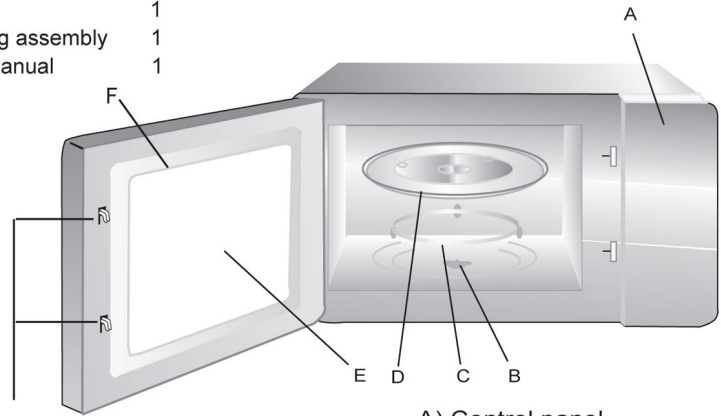
SETTING UP YOUR OVEN

Names of Oven Parts and Accessories

Remove the oven and all materials from the carton and oven cavity.

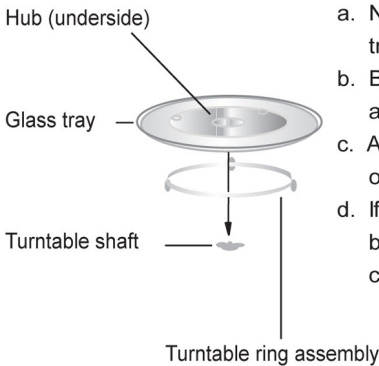
Your oven comes with the following accessories:

Glass tray	1
Turntable ring assembly	1
Instruction Manual	1



- A) Control panel
- B) Turntable shaft
- C) Turntable ring assembly
- D) Glass tray
- E) Observation window
- F) Door assembly
- G) Safety interlock system

Turntable Installation



- a. Never place the glass tray upside down. The glass tray should never be restricted.
- b. Both glass tray and turntable ring assembly must always be used during cooking.
- c. All food and containers of food are always placed on the glass tray for cooking.
- d. If glass tray or turntable ring assembly cracks or breaks, contact your nearest authorized service center.

Countertop Installation

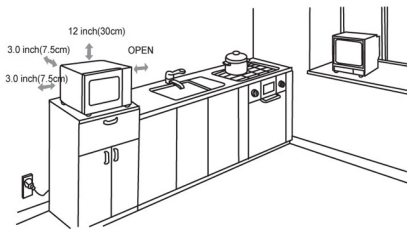
Remove all packing material and accessories. Examine the oven for any damage such as dents or broken door. Do not install if oven is damaged.

Cabinet: Remove any protective film found on the microwave oven cabinet surface.

Do not remove the light brown Mica cover that is attached to the oven cavity to protect the magnetron.

Installation

1. Select a level surface that provide enough open space for the intake and/or outlet vents.



A minimum clearance of 3.0 inches (7.5cm) is required between the oven and any adjacent walls. One side must be open.

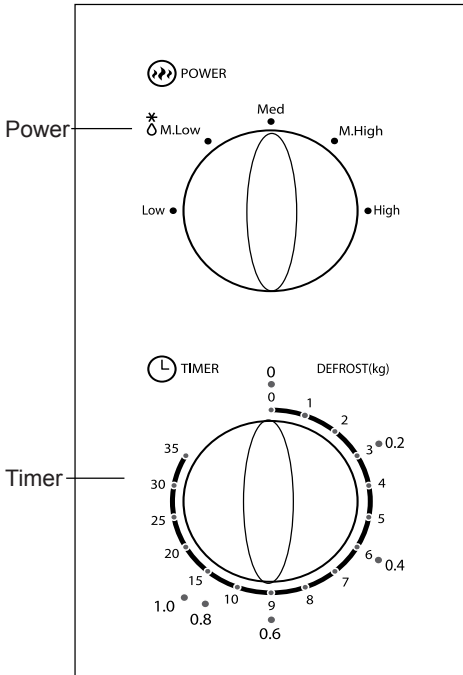
- (1) Leave a minimum clearance of 12 inches (30cm) above the oven.
- (2) Do not remove the legs from the bottom of the oven.

- (3) Blocking the intake and/or outlet openings can damage the oven.
 - (4) Place the oven as far away from radios and TV as possible. Operation of microwave oven may cause interference to your radio or TV reception.
2. Plug your oven into a standard household outlet. Be sure the voltage and the frequency is the same as the voltage and the frequency on the rating label.

WARNING: Do not install oven over a range cooktop or other heat-producing appliance. If installed near or over a heat source, the oven could be damaged and the warranty would be void.

OPERATION

Control Panel and Features Operation Instructions



- 1.To set cooking power by turning the power knob to desired level.
- 2.To set the time of cooking by turning the timer knob to desired time per your food cooking guide.
- 3.The microwave oven will automatically start cooking after power level and time are set.
- 4.After the cooking time is up, the unit will "Dong" to stop.
- 5.If the unit is not in use, always set time to "0".

Function/Power	Output	Application
Low	17% micro.	Soften ice cream
Med. Low (Defrost)	33% micro.	Soup stew, soften butter or defrost
Med.	55% micro.	Stew, fish
Med. High	77% micro.	Rice, fish, chicken, ground meat
High	100% micro.	Reheat, milk, boil water, vegetables, beverage

Notice: When removing food from the oven, please ensure that the oven power is switched off by turning the timer switch to 0 (zero). Failure to do so, and operating the microwave oven without food in it, can result in overheating and damage to the magnetron.

Maintenance

Troubleshooting

Check your problem by using the chart below and try the solutions for each problem. If the microwave oven still does not work properly, contact the nearest authorized service center.

TROUBLE	POSSIBLE CAUSE	POSSIBLE REMEDY
Oven will not start	<ul style="list-style-type: none"> a. Electrical cord for oven is not plugged in. b. Door is open. c. Wrong operation is set. 	<ul style="list-style-type: none"> a. Plug into the outlet. b. Close the door and try again. c. Check instructions.
Arcing or sparking	<ul style="list-style-type: none"> a. Materials to be avoided in microwave oven were used. b. The oven is operated when empty. c. Spilled food remains in the cavity. 	<ul style="list-style-type: none"> a. Use microwave-safe cookware only. b. Do not operate with oven empty. c. Clean cavity with wet towel.
Unevenly cooked foods	<ul style="list-style-type: none"> a. Materials to be avoided in microwave oven were used. b. Food is not defrosted completely. c. Cooking time, power level is not suitable. d. Food is not turned or stirred. 	<ul style="list-style-type: none"> a. Use microwave-safe cookware only. b. Completely defrost food. c. Use correct cooking time, power level. d. Turn or stir food.
Overcooked foods	Cooking time, power level is not suitable.	Use correct cooking time, power level.
Undercooked foods	<ul style="list-style-type: none"> a. Materials to be avoided in microwave oven were used. b. Food is not defrosted completely. c. Oven ventilation ports are restricted. d. Cooking time, power level is not suitable. 	<ul style="list-style-type: none"> a. Use microwave-safe cookware only. b. Completely defrost food. c. Check to see that oven ventilation ports are not restricted. d. Use correct cooking time, power level.
Improper defrosting	<ul style="list-style-type: none"> a. Materials to be avoided in microwave oven were used. b. Cooking time, power level is not suitable. c. Food is not turned or stirred. 	<ul style="list-style-type: none"> a. Use microwave-safe cookware only. b. Use correct cooking time, power level. c. Turn or stir food.

Continental[®] *Platinum*

MANUAL DE INSTRUCCIONES



HORNO A MICROONDAS

**MODEL:
CP41079**

Lea estas instrucciones detenidamente antes de utilizar este horno a microondas y guárdelas en un lugar seguro.

Si se sigue estas instrucciones, el horno le ofrecerá muchos años de buen funcionamiento.

GUARDE ESTAS INSTRUCCIONES EN UN LUGAR SEGURO

PRECAUCIONES PARA EVITAR UNA POSIBL EXPOSICIÓN A LA ENERGÍA MICROONDAS EXCESIVA

- a) No intente utilizar el horno con la puerta abierta ya que esto podría originar quedar peligrosamente expuesto a la energía microondas. Es importante no eliminar ni manipular los seguros o cerraduras.
- b) No coloque ningún objeto entre el microondas y la puerta ni tampoco permita que la suciedad o residuos de materiales de limpieza se acumulen en las superficies herméticas.
- c) No utilice el horno si se reencuentra dañado. Es muy importante que la puerta del horno quede debidamente cerrada y que no haya daños a:
 - a. La puerta (doblada o torcida)
 - b. Bisagras y cerraduras (rotas o sueltas)
 - c. Selladuras o empaquetaduras de la puerta o superficies herméticas
- d) No debe de intentar arreglarse o repararse el horno. Esto debe de llevarse a cabo por el personal técnico calificado.

Especificaciones

Modelo	CP41079
Voltaje nominal	120 V – 60 Hz
Potencia de entrada nominal (microondas)	1050 W
Potencia de salida nominal (microondas)	700 W
Capacidad del horno	0.6 pies cúbicos
Diámetro de la tornamesa	9.6 pulgadas
Dimensiones externas	17.3 x 14.0 x 10.2 pulgadas (440 x 355 x 258 mm)
Peso neto	Aproximadamente 23.1 libras (10.5 kg)
Advertencia	La manipulación del cordón o de otros cables relacionados a los accesorios vendidos con este producto podría exponerlo a entrar en contacto con plomo, un químico que en el estado de California se ha determinado como causante de cáncer, defectos de nacimiento y otros daños reproductivos. Lávese las manos después de manipularlo.

INSTRUCCIONES DE SEGURIDAD IMPORTANTES

ADVERTENCIA

Con el fin de reducir el riesgo de que se produzcan quemaduras, una descarga eléctrica, un incendio, lesiones o exposiciones a la energía microondas excesiva al momento de usar este electrodoméstico, siga las siguientes precauciones de seguridad básicas:

1. Lea todas las instrucciones antes de utilizar el electrodoméstico.
2. Lea y preste atención a las "Precauciones para evitar una posible exposición a la energía microondas excesiva" tal como se detalla en la página 2.
3. Como con otros electrodomésticos de cocina, debe prestarse mucha atención para reducir el riesgo de que se produzca fuego dentro de la cavidad del horno.
4. Con el fin de reducir el riesgo de que se produzca fuego dentro de la cavidad del horno:
 - i) No cueza los alimentos de manera excesiva. Vigile el horno cuando, para facilitar la cocción, se prepare alimentos utilizando materiales de papel o plástico u otros materiales combustibles.
 - ii) Retire los cintillos de alambre o asas de metal de las bolsas o envases de papel o plástico antes de colocarlos dentro del horno.
 - iii) Si cualquier material dentro del horno se prendiera fuego, mantenga la puerta cerrada. Apague y desenchufe el electrodoméstico y desconecte la energía en la caja o panel de fusibles o de interruptores principal.
 - iv) No use la cavidad del horno para guardar objetos. No deje artículos de papel, utensilios de cocina o alimentos dentro del horno cuando no lo esté usando.
5. Este electrodoméstico debe conectarse a tierra. Enchúfelo solamente a un tomacorriente con la debida salida a tierra. Véase las "Instrucciones de conexión a tierra" en la página 5.
6. Instale y ubique este horno solamente de acuerdo con las instrucciones de instalación de este manual.
7. Algunos productos como huevos enteros y envases cerrados herméticamente, por ejemplo frascos de vidrio, podrían explotar por lo que no deben calentarse en este horno.
8. Utilice este electrodoméstico sólo para los fines que ha sido diseñado tal como se describe en este manual. No utilice químicos corrosivos u otras sustancias con este electrodoméstico. Este horno ha sido diseñado específicamente para calentar, cocinar o secar alimentos. No ha sido diseñado para usos industriales o de laboratorio.
9. Como con cualquier otro electrodoméstico, debe prestarse suma atención si va a ser utilizado por parte de niños.
10. No utilice el electrodoméstico si el cordón o el enchufe se encuentran dañados, si no funciona adecuadamente o si ha sufrido algún tipo de daño o caída.
11. Todo servicio técnico debe ser llevado a cabo por parte del personal técnico calificado. Póngase en contacto con el centro de servicio autorizado más cercano para cualquier arreglo, reparación o ajuste.
12. No cubra ni obstruya las aberturas del horno.
13. No guarde ni utilice este electrodoméstico al aire libre.
14. No utilice este horno cerca al agua, por ejemplo cerca de un lavadero de cocina, en un sótano muy húmedo, cerca de una piscina u otros lugares similares.
15. No sumerja el cordón ni el enchufe en agua.
16. Mantenga el cordón lejos de cualquier superficie caliente.
17. No permita que el cordón cuelgue del borde de la mesa o repostero de cocina.
18. Al momento de efectuar la limpieza de las superficies de la puerta y del horno que entren en contacto con el cierre de la puerta, utilice un tipo de jabón o detergente no abrasivo aplicándolo con una esponja a un paño suave.

19. Los líquidos, tales como el agua, café o té pueden sobrecalentarse más allá del punto de ebullición sin parecer haber hervido. El burbujeo o hervido visible de un recipiente al momento de sacarlo del horno de microondas no siempre está presente. ESTO PODRÍA OCASIONAR QUE UN LÍQUIDO CALIENTE REPENTINAMENTE ROMPA EL HERVOR AL MOMENTO DE ACCIONAR ALGÚN MOVIMIENTO O METER UNA CUCHARA U OTRO UTENSILIO DENTRO DEL LÍQUIDO.

- i) No sobrecaliente los líquidos.
- ii) Remueva el líquido antes y a la mitad del proceso de calentamiento.
- iii) No utilice envases o recipientes de lados verticales con cuellos angostos.
- iv) Después de calentar, deje que el envase o recipiente repose dentro del horno a microondas durante un periodo corto antes de retirarlo.
- v) Tenga sumo cuidado al momento de insertar una cuchara o cualquier otro utensilio dentro del envase o recipiente.

GUARDE ESTAS INSTRUCCIONES

INSTRUCCIONES DE CONEXIÓN A TIERRA

PELIGRO

Peligro de descarga eléctrica

Se podría producir lesiones serias o hasta la muerte si se toca algunos de los componentes internos del horno. No desarme el electrodoméstico.

ADVERTENCIA

Peligro de descarga eléctrica

El uso inadecuado del sistema a tierra podría ocasionar una descarga eléctrica. No enchufe el electrodoméstico hasta que éste haya quedado correctamente instalado y conectado a tierra.

Enchufe de tres extremidades (con salida a tierra)



Este electrodoméstico debe quedar conectado a tierra. En el caso de un cortocircuito, la conexión a tierra reduce el riesgo de una descarga eléctrica ofreciendo un cable de escape para la corriente eléctrica. Este electrodoméstico cuenta con un cordón con cable de tierra y con un enchufe a tierra. Este tipo enchufe debe conectarse a un tomacorriente que cuente con la debida instalación y salida a tierra.

Consulte con un electricista calificado o un técnico sobre las instrucciones de conexión a tierra si no las comprende totalmente o si tuviera alguna duda de que su electrodoméstico haya quedado correctamente conectado a tierra. Si fuera necesario utilizar un cable de extensión, utilice un cable de 3 alambres que cuente con un enchufe de 3 extremidades y con un receptáculo de 3 ranuras donde se pueda conectar el enchufe del electrodoméstico. La resistencia eléctrica del cable de extensión debe ser igual o mayor a la resistencia eléctrica del electrodoméstico.

1. El equipo viene con un cordón más corto para evitar el riesgo de que alguien se enrede o se tropiece con un cordón más largo.
2. Se puede utilizar cordones más largos o cables de extensión si se hace con el debido cuidado.
3. Si se utilizara un cordón más largo o un cable de extensión:
 - 1) La resistencia eléctrica del cordón o cable de extensión debe ser por lo menos igual a la resistencia eléctrica del electrodoméstico;
 - 2) El cable de extensión debe contar con tres alambres y con salida a tierra; y
 - 3) Un cordón más largo o un cable de extensión debe acomodarse de tal manera que no cuelgue del repostero de cocina o del borde de la mesa en donde pueda ser tirado por un niño o alguien pueda tropezarse accidentalmente.

INTERFERENCIA DE FRECUENCIA RADIAL

1. El funcionamiento del horno puede generar interferencia a un radio, televisor o equipos similares.
2. Si hubiera interferencia, se puede tomar las siguientes medidas para reducirla o eliminarla:
 - 1) Limpie la puerta y la superficie hermética del horno.
 - 2) Reoriente la antena receptora del radio o televisor.
 - 3) Reubique el horno a microondas con respecto al equipo receptor.
 - 4) Aleje el horno del equipo receptor.
 - 5) Enchufe el horno a un tomacorriente distinto de tal manera que el horno y el equipo receptor queden conectados a diferentes circuitos.

UTENSILIOS

Peligro de lesión

Los utensilios cerrados herméticamente podrían explotar. Los envases cerrados deben abrirse y las bolsas de plástico deben perforarse antes de proceder con la cocción.

Véase las instrucciones sobre "Materiales que pueden utilizarse en el horno o que deben evitarse". Puede haber algunos utensilios no metálicos que no sean seguros para usarse en el horno a microondas. Si tuviera alguna duda, pruebe el utensilio siguiendo el siguiente procedimiento:

Prueba de Utensilios

- 1) Llene un recipiente o envase para microondas con una taza de agua fría (250 ml) junto con el utensilio en cuestión.
- 2) Proceda a efectuar la cocción a potencia máxima durante 1 minuto.
- 3) Con cuidado toque el utensilio. Si el utensilio estuviera caliente, no lo utilice para cocinar en el microondas.
- 4) No exceda de 1 minuto el tiempo cocción.

Materiales que se pueden usar en el horno a microondas

Observaciones

Lámina de aluminio	Solamente como protección. Pequeñas piezas lisas pueden ser usadas para cubrir partes delgadas de carne o pollo para prevenir sobre cocción. Puede ocurrir que se formen arcos si el film está muy cerca de las paredes del horno. El film debe estar por lo menos a 2,5 cm de distancia de las paredes del horno.
Bandeja doradora	Siga las instrucciones del fabricante. El fondo de la bandeja debe estar al menos a 5 mm arriba del plato giratorio. El uso incorrecto puede resultar en la rotura del plato giratorio.
Elementos para comida	Use solamente utensilios seguros para microondas. Siga las instrucciones del fabricante. No use platos rotos o astillados.
Jarras de vidrio	Quíteles siempre la tapa. Use solo para calentar alimentos hasta su punto justo. La mayoría de las jarras no son resistentes al calor y pueden romperse.
Cristalería	Use solamente cristalería resistente al calor del horno. Asegúrese de que no hay adornos metálicos. No use platos rotos o astillados.
Bolsas para cocinar en horno	Siga las instrucciones del fabricante. No las cierre con precintos. Asegúrese de que tengan aberturas para permitir la salida de vapores
Platos y vasos de papel	Uselos para cocción / calentamiento de corto tiempo. No deje el horno sin atención mientras cocina / calienta.
Servilletas de papel	Uselas para cubrir los alimentos para que retengan y absorban grasa. Deben usarse con supervisión para cocción de corto tiempo.
Pergamino de papel	Uselo como cubierta para prevenir salpicaduras o como envoltura para cocción al vapor.
Plásticos	Solamente aptos para microondas. Siga las instrucciones del fabricante. Deben estar etiquetados como "Seguros para microondas". Algunos plásticos contienen aislantes de manera que los alimentos en su interior logren calentarse. Las "Bolsas para Hervir" y las bolsas plásticas herméticamente cerradas deben ser abiertas o perforadas y usar como vienen empaquetadas.
Cubiertas plásticas	Solamente aptas para microondas. Uselas para cubrir los alimentos durante la cocción para retener la humedad. No permita que las cubiertas plásticas entren en contacto con los alimentos.
Termómetros	Solamente aptos para microondas. (termómetros para carnes y dulces / caramelo).
Papel encerado	Uselo como una cubierta para prevenir salpicaduras y retener la humedad

Materiales a ser evitados en el horno a microondas

Observaciones Respecto a los utensilios

Bandeja de aluminio	Puede causar arcos. Pase los alimentos a un recipiente apto para microondas.
Caja de alimentos con manija metálica	Puede causar arcos. Pase los alimentos a un recipiente apto para microondas.
utensilios de metal o con revestimientos metálicos	Los metales evitan que la energía de microondas vayan a los alimentos. Los adornos de metal pueden causar arcos.
Precintos o cierres de metal	Pueden causar arcos y podrían causar fuego dentro del horno.
Bolsas de papel	Pueden causar fuego en el horno.
Espumados plásticos	Los espumados plásticos pueden derretirse o contaminar el líquido dentro cuando son expuestos a altas temperaturas
Madera	La madera se secará cuando es usada en el horno a microondas y puede rajarse o romperse.

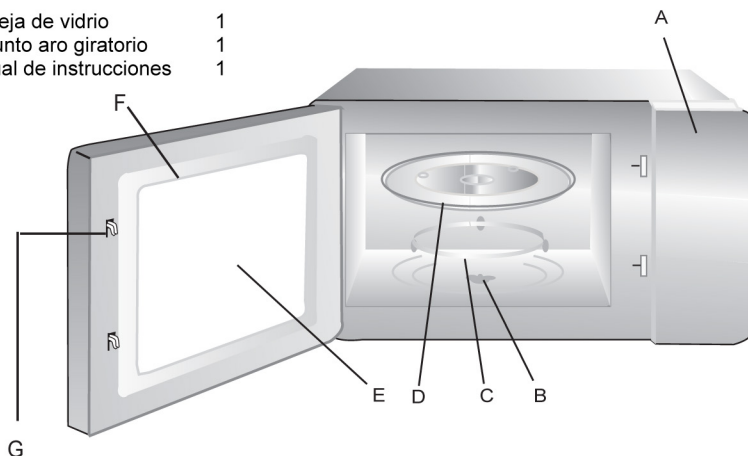
PREPARANDO SU HORNO A MICROONDAS

Nombres de las Partes y Accesorios

Retire el horno y todos los materiales de su caja y de la cavidad del horno.

Su horno viene con los siguientes accesorios:

Bandeja de vidrio	1
Conjunto aro giratorio	1
Manual de instrucciones	1



- A) Panel de control
- B) Eje para bandeja giratoria
- C) Conjunto aro giratorio
- D) Bandeja de vidrio
- E) Ventana para observación
- F) Coniunto puerta

Instalación del Plato Giratorio



- a. Nunca coloque la bandeja de vidrio con el lado de arriba hacia abajo. Nunca se debe usar el horno sin esta bandeja.
- b. Tanto la bandeja de vidrio como el aro giratorio siempre deben usarse durante la cocción.
- c. Todos los alimentos o los envases que los contienen siempre deben colocarse sobre la bandeja de vidrio giratoria.
- d. Si la bandeja de vidrio o el aro giratorio se fisuran o rompen, contáctese con centro de servicio mas cercano.

Previo a la Instalación

Retire todo el material de embalaje y los accesorios.

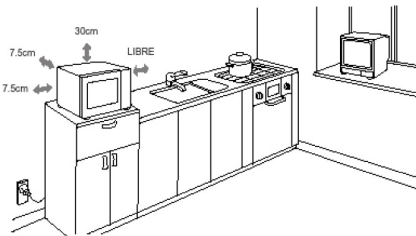
Examine el horno para descubrir si este tiene algún daño como ser abolladuras o la puerta desviada o rota.

Gabinete: Quite todo el film protector que encuentre en la superficie del gabinete.

No quite la tapa de Mica color marrón claro adherida dentro de la cavidad del horno, ya que esta sirve para proteger la válvula magnetrón.

Instalación

1. Elija una superficie nivelada que provea suficiente espacio abierto para la entrada y/o salida de aire para ventilación.



- (3) El bloquear las aberturas de salida / entrada de aire pueden causar daño al horno.
- (4) Ubique el horno tan alejado de radios y aparatos de TV como sea posible.
- (5) Enchufe el horno en un tomacorriente normal doméstico con puesta a tierra. Asegúrese de que el voltaje y la frecuencia se correspondan con el marcado de la unidad en su etiquetado.

ADVERTENCIA: No instale el horno sobre una cocina o anafe u otro artefacto que produzca calor. Si lo instala cerca o sobre una fuente de calor, el horno puede dañarse y eso anulará la garantía.

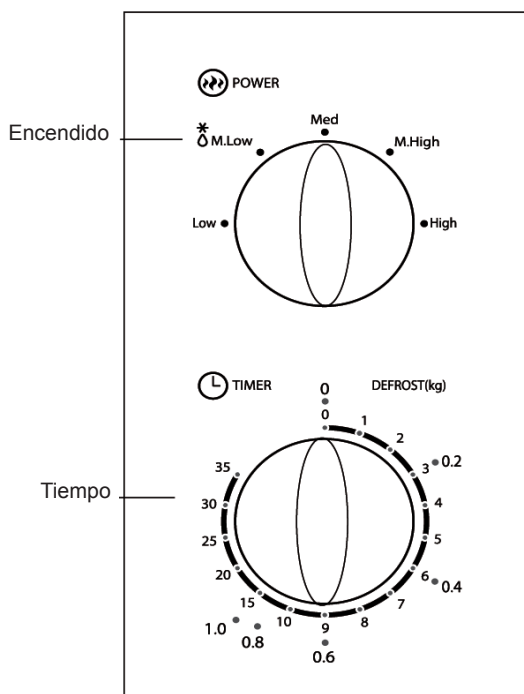
Una luz mínima de 7.5 cm se requiere entre el horno y cualquier pared adyacente. Un lado debe quedar libre.

- (1) Deje una luz mínima de 30 cm encima del horno
- (2) No quite las patas de la base del horno.

FUNCIONAMIENTO

Panel de control y Funciones

Instrucciones de Funcionamiento



1. Para determinar la potencia de cocción, gire la perilla de potencia hasta el nivel deseado.
2. Para programar el tiempo de cocción, gire la perilla de tiempo hasta la ubicación de tiempo deseado según la guía de cocina de alimentos.
3. El horno a microondas automáticamente comenzará a efectuar la cocción una vez que se haya programado el nivel de potencia y el tiempo.
4. Una vez transcurrido el tiempo de cocción, el equipo emitirá un sonido y se detendrá.
5. Si el aparato no se encuentra en uso, siempre coloque el tiempo en "0".

Función / Potencia	Salida	Aplicación
Baja	17% microondas	Ablandar helado
Media Baja (descongelado)	33% microondas	Sopa o guisado, ablandar mantequilla o descongelar
Media	55% microondas	Guisos, pescado
Media alta	77% microondas	Arroz, pescado, pollo, carne molida
Alta	100% microondas	Recalentar, leche, hervir agua, verduras, bebidas

Aviso: Una vez que se retire los alimentos del horno, asegúrese de que el horno se encuentre apagado girando la perilla de tiempo hasta "0". Si no se hace esto, y el horno continúa funcionando sin ningún alimento dentro de la cavidad, se podría recalentar y dañar el magnetrón.

Mantenimiento

Solución de problemas

Verifique el problema utilizando el cuadro que se muestra más abajo e intente aplicar las soluciones para cada problema. Si aun así el horno a microondas no funcionara adecuadamente, póngase en contacto con el centro de servicio técnico autorizado más cercano.

Problema	Posible causa	Posible solución
El horno no funciona	a. No se ha enchufado el horno. b. La puerta se encuentra abierta. c. Se ha efectuado una operación incorrecta.	a. Enchufe al tomacorriente. b. Cierra la puerta e intente de nuevo. c. Verifique las instrucciones.
Se producen chispas	a. Se ha utilizado materiales que deben evitarse en el horno. b. Se está haciendo funcionar el horno vacío. c. Hay comida derramada dentro de la cavidad del horno.	a. Utilice materiales de cocina para microondas solamente. b. No haga funcionar el horno vacío. c. Limpie la cavidad del horno con una toalla húmeda.
Alimentos cocidos de manera dispareja	a. Se ha utilizado materiales que deben evitarse en el horno. b. Los alimentos no están descongelados completamente. c. El tiempo de cocción y nivel de potencia no son los apropiados. d. No se ha volteado o removido los alimentos.	a. Utilice materiales de cocina para microondas solamente. b. Descongele los alimentos completamente. c. Utilice el tiempo de cocción y nivel de potencia correctos. d. Voltee o remueva los alimentos.
Alimentos demasiado cocidos	a. El tiempo de cocción el nivel de potencia no son los apropiados.	a. Utilice el tiempo de cocción y el nivel de potencia correctos.
Alimentos faltos de cocción	a. Se ha utilizado materiales que deben evitarse en el horno. b. No se ha descongelado los alimentos completamente. c. Las aberturas de ventilación del horno se encuentran obstruidas. d. El tiempo de cocción y nivel de potencia no son los apropiados.	a. Utilice materiales de cocina para microondas solamente. b. Descongele los alimentos completamente. c. Verifique que las aberturas de ventilación no se encuentren obstruidas. d. Utilice el tiempo de cocción y el nivel de potencia correctos.
Descongelado inadecuado	a. Se ha utilizado materiales que deben evitarse en el horno. b. El tiempo de cocción y nivel de potencia no son los apropiados. c. No se ha volteado o removido los alimentos.	a. Utilice materiales de cocina para microondas solamente. b. Utilice el tiempo de cocción y el nivel de potencia correctos. c. Voltee o remueva los alimentos.